

ACCESSORY SETUP INSTRUCTION

SEAT CARGO BOX ASSEMBLY -- PN: 5BYV-806100-3000

VALID FOR: MY 2024 and Newer ZFORCE 950 Sport-4

BEFORE YOU BEGIN: Read and understand the instructions before starting any work. Make sure that all parts are ready and that you have all the tools required for assembly.

NOTE: CFMOTO shall not be liable for any damage caused by incorrect assembly. CFMOTO recommends that all original accessories be assembled by an authorized CFMOTO dealer

Before assembly, park the vehicle on a flat surface, put the transmission gear into Park (P) and turn off the key switch.

Zhejiang CFMOTO Power Co., Ltd. All rights reserved. Reproduction of this document, even in part, as well as copying of all kinds, is permitted only with the express written permission of the copyright owner.

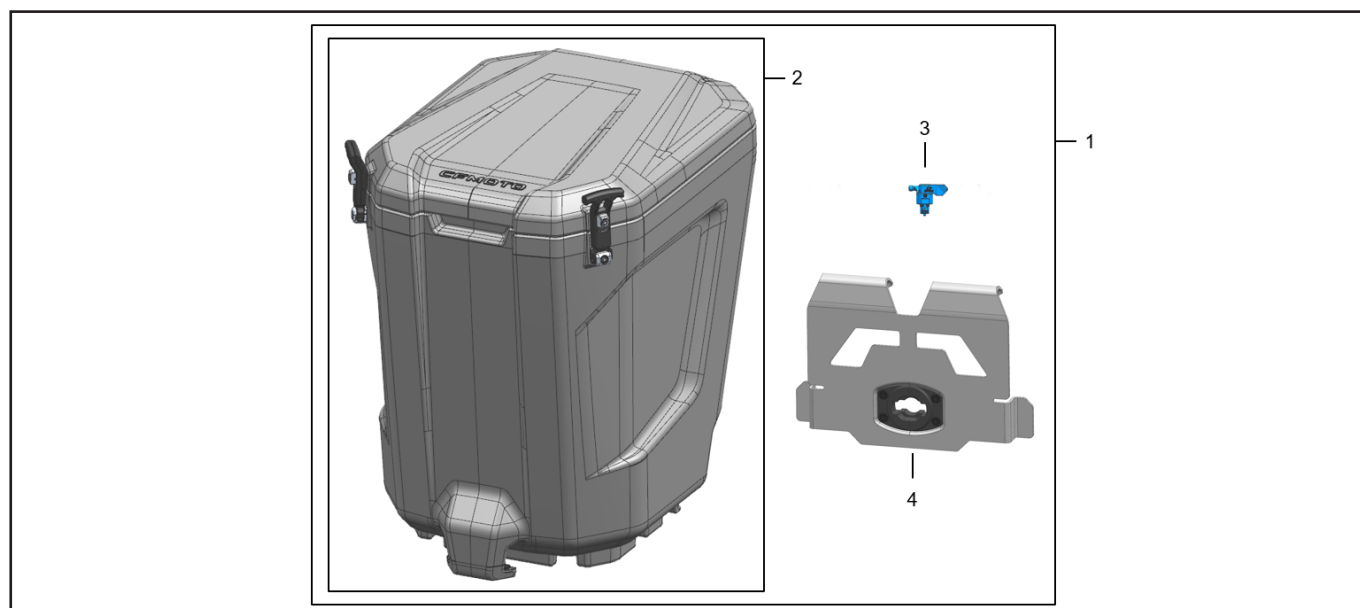
MEANING OF SYMBOLS

i - Indicates information with more details or tips.

! - Indicates information of warning or danger.

PARTS LIST:

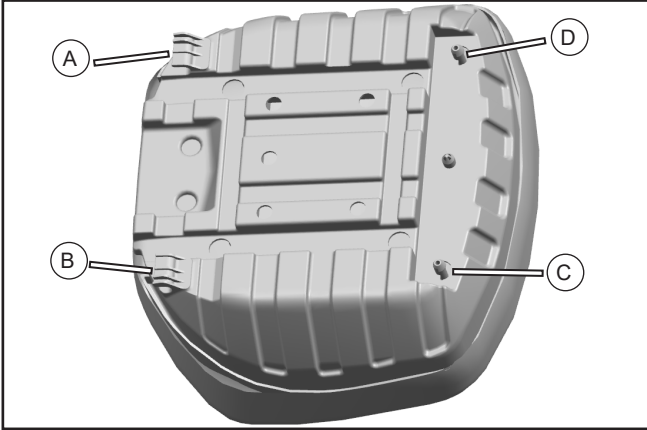
| ITEM | PART NAME | PART NUMBER | QTY. | DESCRIPTION |
|------|-------------------------|------------------|------|------------------------------|
| 1 | Seat cargo box assembly | 5BYV-806100-3000 | 1 | For structure reference only |
| 2 | Cargo box assy | 5BYV-806110-3000 | 1 | |
| 3 | Quick-release assembly | 9DS#-809800-6000 | 1 | |
| 4 | Cargo box sheet metal | 5BYV-806117-3000 | 1 | |



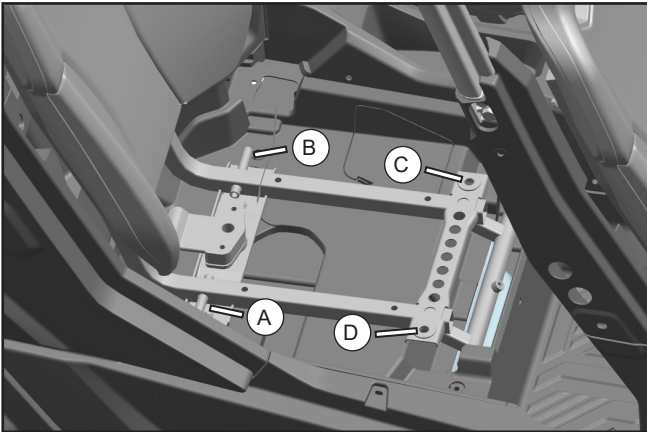
TOOL LIST:

| ITEM | DESCRIPTION | QTY. | REMARK |
|------|-------------------|------|---|
| 1 | PROTECTIVE GLOVES | 1 | Recommended tools, which are not included in the package. |

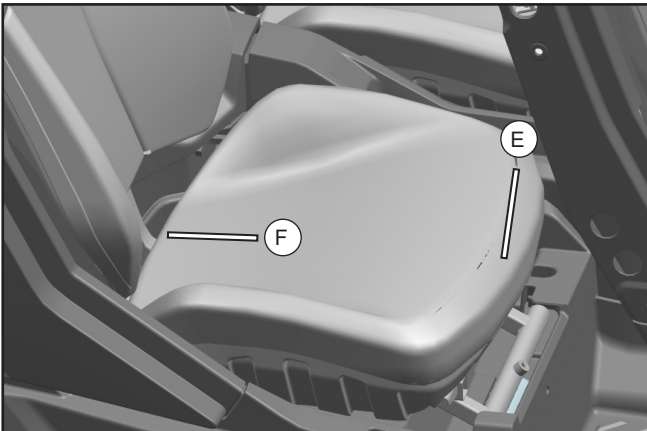
ASSEMBLY AND INSTALLATION



// As shown, (A), (B), (C), (D) is the mounting points of the seat cushion.

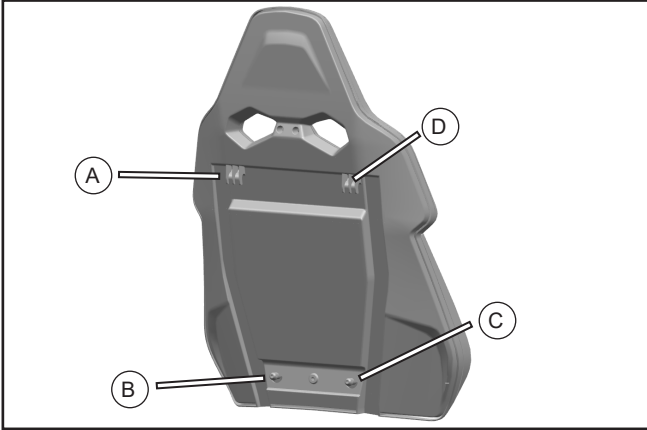


// As shown, (A), (B), (C), (D) is the corresponding mounting points of the seat cushion.

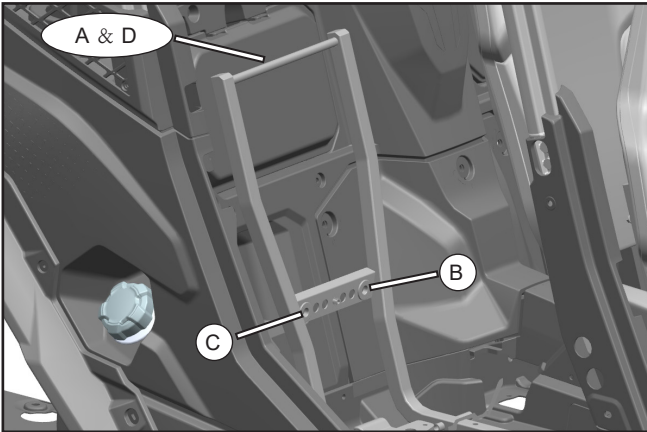


// Toward direction (E) to pull up the front of the seat cushion, release the mounting points (C) and (D), and then along the direction (F) to release the mounting points (A) and (B). The disassembly of the seat cushion is completed.

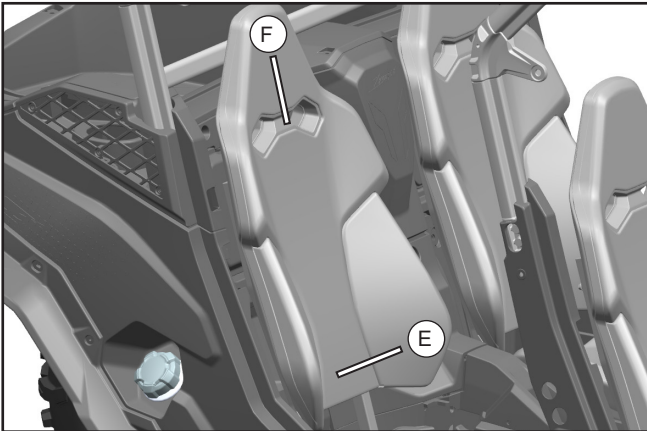
ASSEMBLY AND INSTALLATION



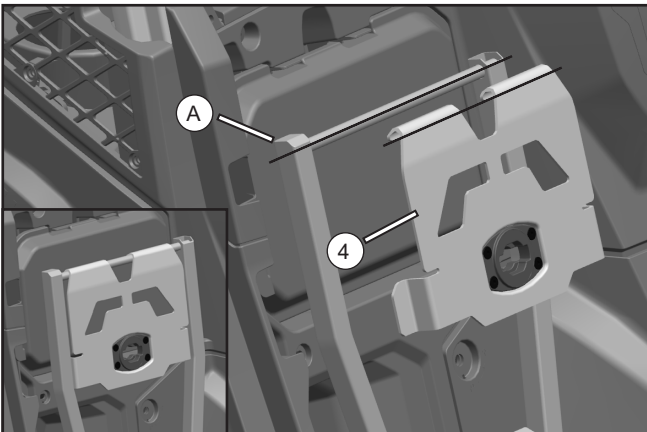
// As shown, (A), (B), (C), (D) is the mounting points of the seat back.



// As shown, (A&D), (B), (C) is the corresponding mounting point of the seat back.

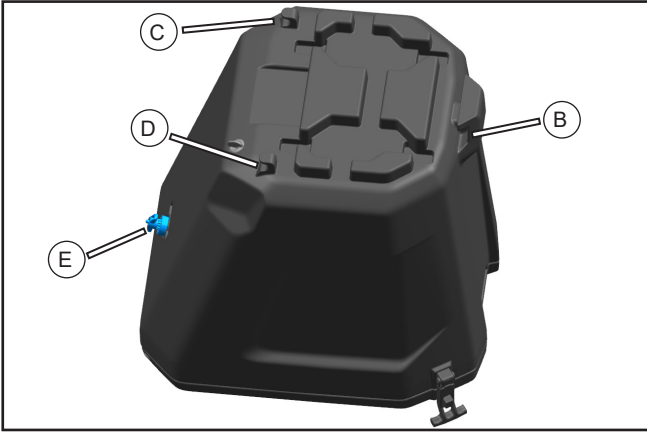


// Toward direction (E) to pull up the lower end of the seat back, release the mounting points (C) and (B), and then along the direction (F) to release the mounting points (A&D). The disassembly of the seat cushion is completed.

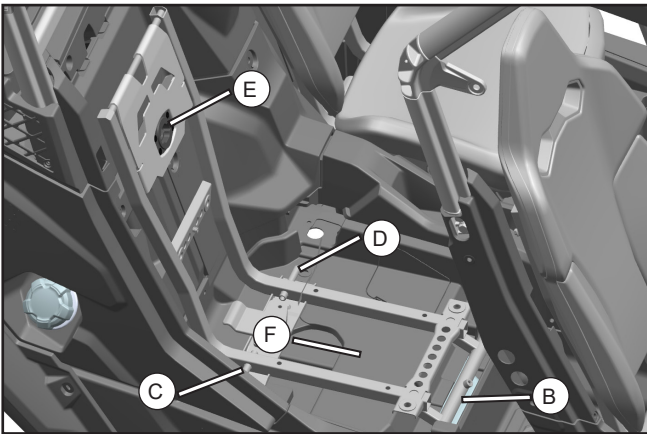


// Hang up the cargo box sheet metal (4) on the frame (A).

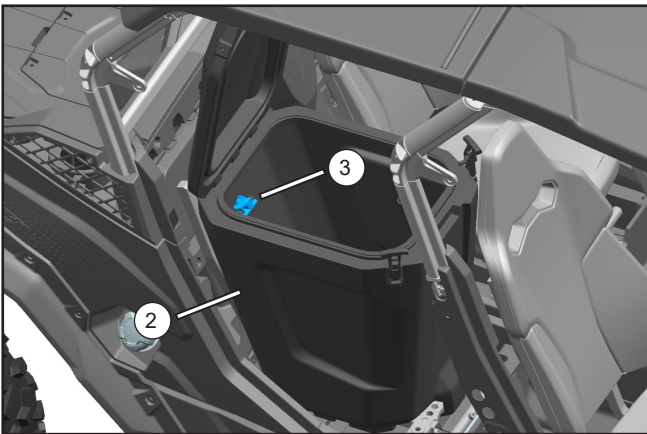
ASSEMBLY AND INSTALLATION



// As shown, (B), (C), (D), (E) is the mounting points of the cargo box assy.



// As shown, (B), (C), (D), (E) is the corresponding mounting point of the seat cargo box.



// Place the cargo box assy (2) on the seat frame, along the direction (F) to buckle up the mounting point (B), (C) and (D) with the mounting point of the seat frame. And then to install the cargo box assy (2) by quick-release assembly (3). The assembly of the CARGO BOX ASSEMBLY is completed.