

ACCESSORY SETUP INSTRUCTION

REAR HALF DOOR ASSY-- PN 5SYV-807600-6000

VALID FOR: MY2023 and Newer UFORCE 1000 XL

SETUP NOTE: FOR ILLUSTRATION PURPOSES, THE LEFT HALF DOOR INSTALLATION IS SHOWN. THE ASSEMBLY STEPS OF THE RIGHT HALF DOOR ARE THE SAME.


BEFORE YOU BEGIN: Read and understand the instructions before starting any work. Make sure that all parts are ready and that you have all the tools required for assembly.

NOTE: CFMOTO shall not be liable for any damage caused by incorrect assembly. CFMOTO recommends that all original accessories be assembled by an authorized CFMOTO dealer.

Before assembly, park the vehicle on a flat surface, put the transmission gear into Park (P) and turn off the key switch.

Zhejiang CFMOTO Power Co., Ltd. All rights reserved. Reproduction of this document, even in part, as well as copying of all kinds, is permitted only with the express written permission of the copyright owner.

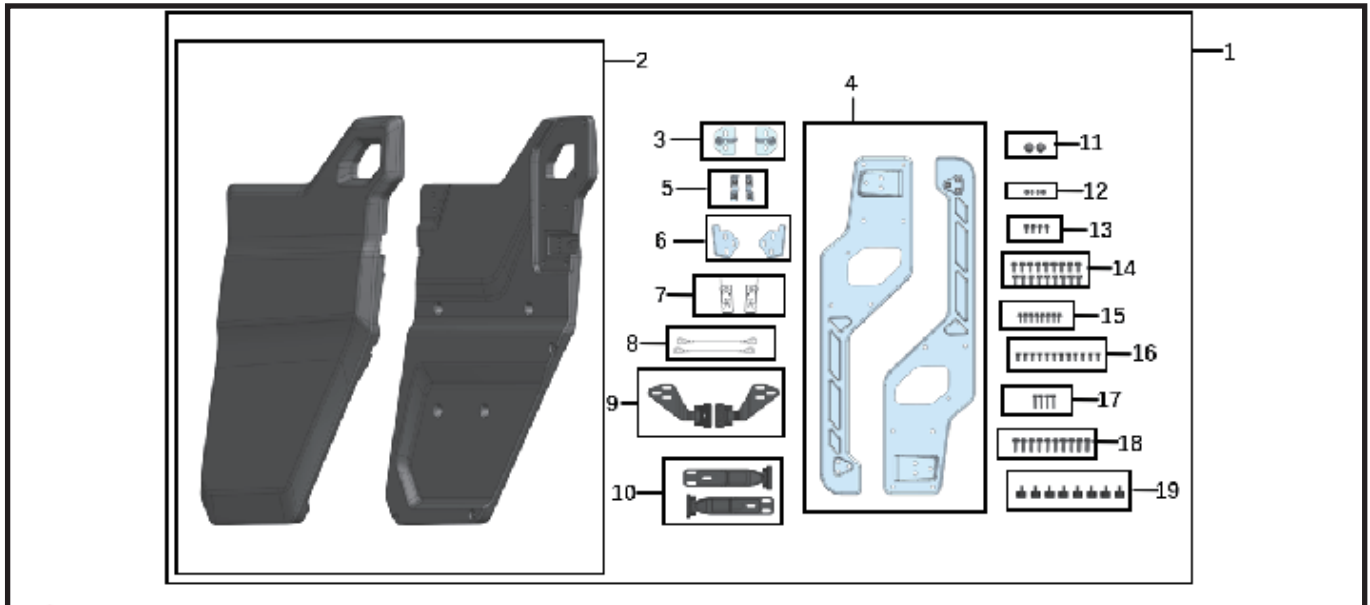
MEANING OF SYMBOLS

 - Indicates information with more details or tips.

 - Indicates information of warning or danger.

PARTS LIST:

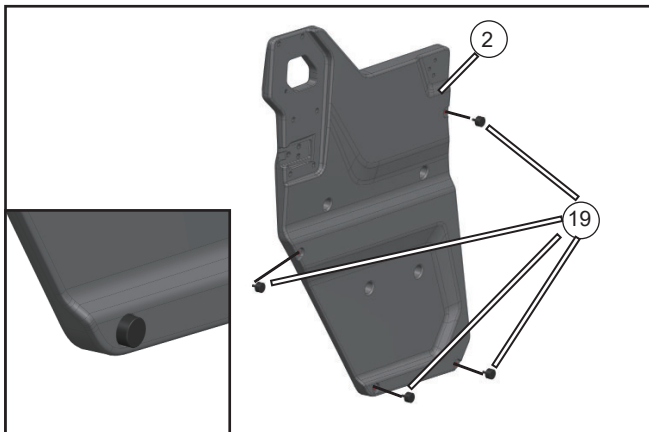
ITEM	PART NAME	PART NUMBER	QTY.	REMARK
1	REAR HALF DOOR ASSY	5SYV-807600-6000	1	For structure reference only
2	LH REAR HALF DOOR & RH REAR HALF DOOR	5SYV-807610-6000 & 5SYV-807650-6000	1 & 1	
3	REAR BUCKLE	5SYV-807620-6000	1 & 1	
4	LH ADAPTER BRACKET & RH ADAPTER BRACKET	5SYV-807530-6000 & 5SYV-807570-6000	1 & 1	
5	LOCK BRACKET ASSY	5SYV-807630-6000	1 & 1	
6	LH DOOR LOCK & RH DOOR LOCK	5ASV-807307-6000&5ASV-807407-6000	1 & 1	
7	RH DOOR LOCK KIT & LH DOOR LOCK KIT	5BW2-374060-5100&5BW2-372060-5100	1 & 1	
8	LIMIT CABLE ASSY	5HY#-372050-1000	1 & 1	
9	LH REAR UPPER HINGE ASSY & RH REAR UPPER HINGE ASSY	5SY0-375500-6001&5SY0-377500-6001	1 & 1	
10	LH LOWER CONNECTING PLATE ASSY & RH LOWER CONNECTING PLATE ASSY	5ASV-807330-6000&5ASV-807430-6000	1 & 1	
11	DOOR LOCK BALL	5SYV-807500-6000-21	1 & 1	
12	LOCK NUT M6	5SYV-807500-6000-25	2 & 2	
13	BOLT M6x14	8010-000004	2 & 2	
14	HEX FLANGE BOLT M8x16	30006-080016870	9 & 9	
15	HEX FLANGE BOLT M6x10	5SYV-807500-6000-22	4 & 4	
16	INNER HEX SCREW M8x16	5SYV-807500-6000-23	6 & 6	
17	HEX FLANGE BOLT M8x25	5SYV-807500-6000-24	2 & 2	
18	HEX FLANGE BOLT M8x25	5SYV-807500-6000-26	5 & 5	
19	DAMPING RUBBER MAT	5SYV-807500-6000-20	4 & 4	



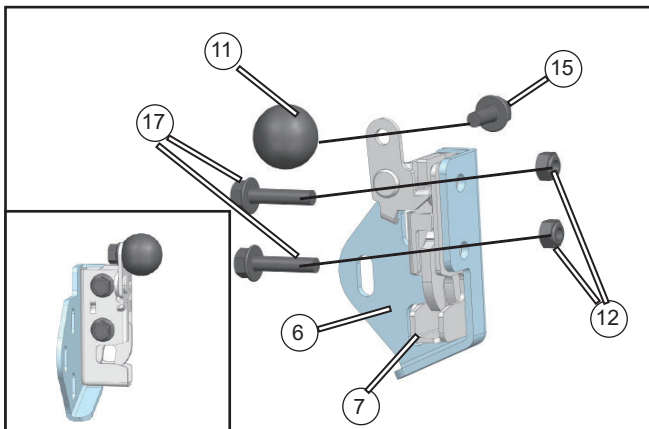
TOOL LIST:

ITEM	DESCRIPTION	QTY.	REMARK
1	10mm WRENCH	1	Recommended tools
2	5mm ALLEN WRENCH	1	
3	13mm SLEEVE	1	
4	10mm SLEEVE	1	
5	ELECTRIC WRENCH	1	
6	PROTECTIVE GLOVES	1	

ASSEMBLY AND INSTALLATION

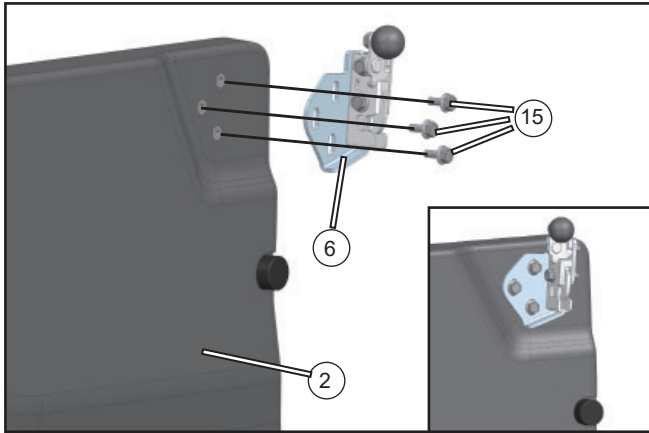


// Install four rubber mats (19) into the corresponding holes of the LH half door (2) at the locations shown.



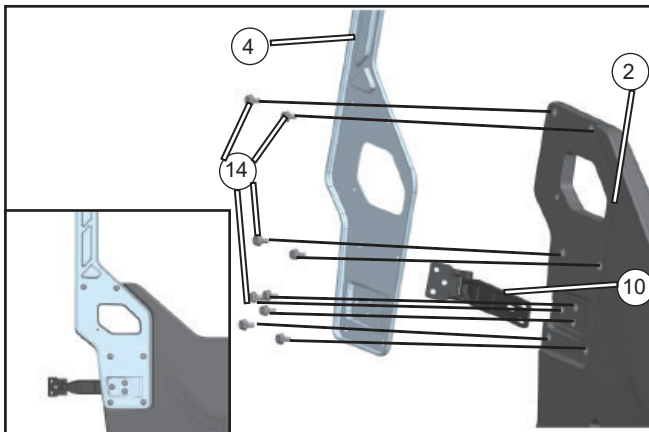
// Install door lock ball (11) on the lever hole of the RH door lock (7) using M6x10 hex flange bolt (15), then install the RH door lock (7) on the LH door lock (6) using two M6x25 hex flange bolts (17) and two M6 nuts (12).

- i** - LH door lock kit (7) is installed on the RH door, and RH door lock kit (7) is installed on the LH door.
- Apply thread locker between door lock ball (11) and hex flange bolt (15).

ASSEMBLY AND INSTALLATION


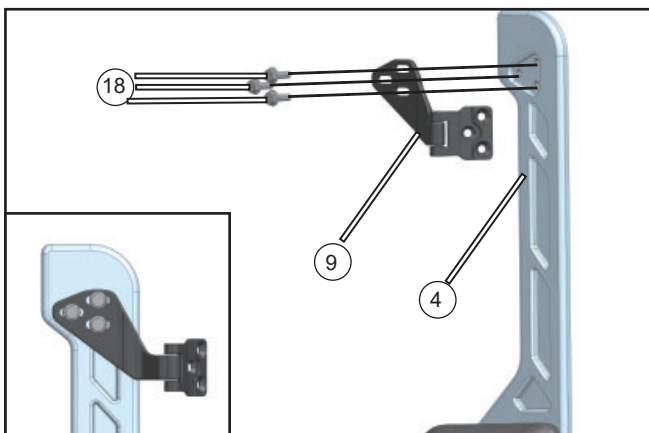
// Align the assembled LH door lock (6) with the corresponding holes on the LH half door (2) and install three M6x10 hex flange bolts (15).

i - Do not fully tighten the bolts at this time, so as to facilitate fine tuning of the door latch.

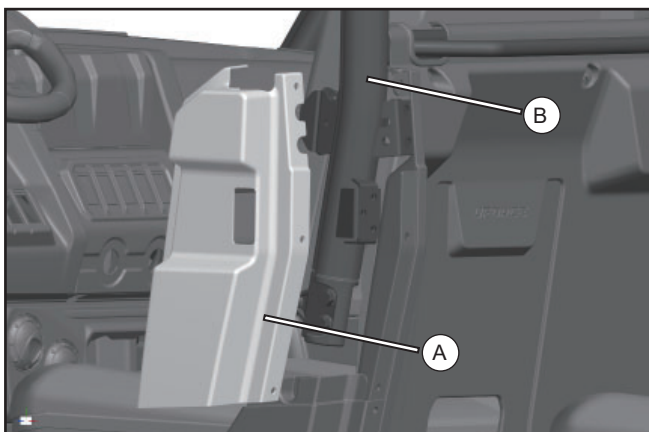


// Align the LH adapter bracket (4) and LH lower connecting plate assemblies (10) with the corresponding holes on the LH rear half door (2) and install nine M8x16 hex flange bolts (14). LH lower connecting plate assemblies (10) is clamped between LH front adapter bracket (4) and LH rear half door (2).

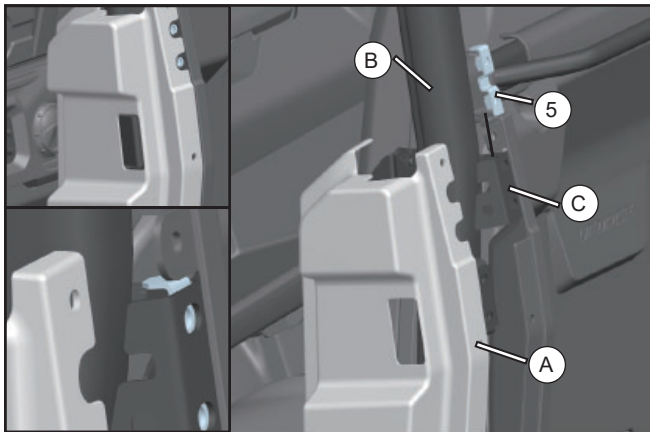
i - Do not fully tighten the bolts at this time, so as to facilitate fine tuning of the door latch.



// Align the LH front upper hinge assy (9) with the corresponding holes on the LH front adapter bracket (4) and install three M8x25 hex flange bolts (18).

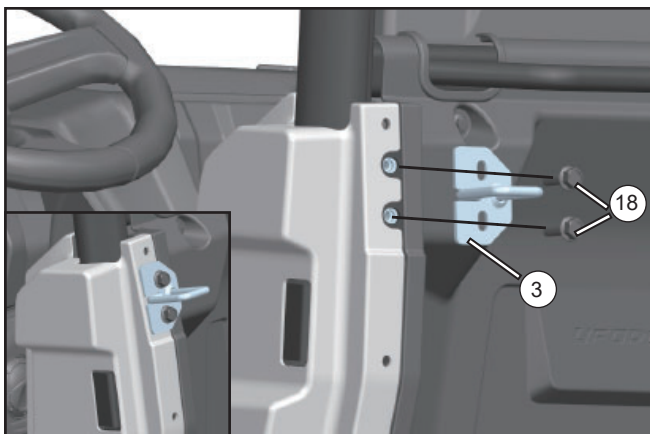


// Remove the left side panel, front seat (A) from the cab frame (B).

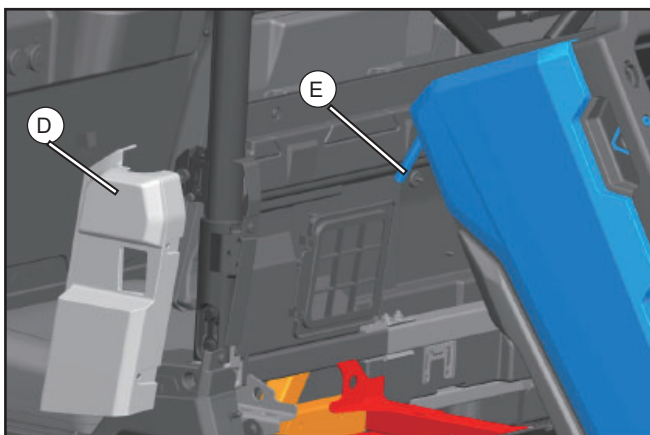
ASSEMBLY AND INSTALLATION


// Set lock bracket (5) into the C position along the direction shown in the image. When it is fixed, re-assemble the left side panel, front seat (A) back on the

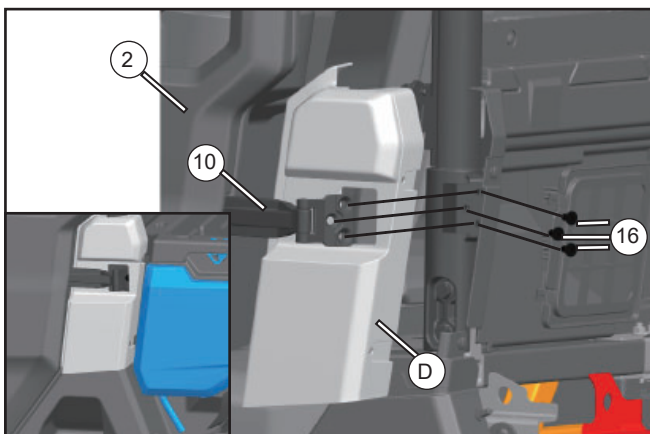
i - The lock bracket (5) should automatically fix in place when installed in the C position.



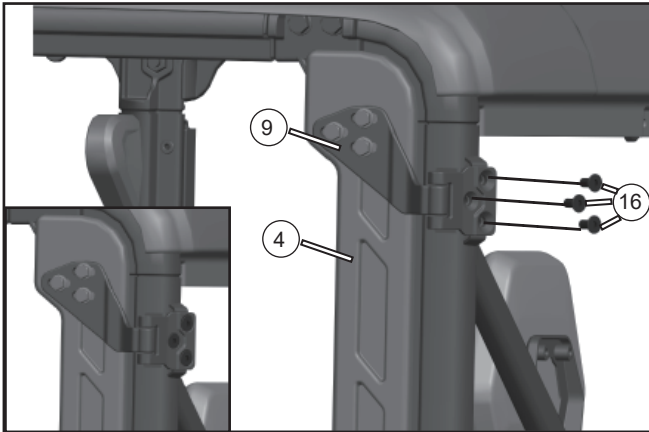
// Align the rear buckle (3) with the corresponding holes on the vehicle and install two M8x25 hex flange bolts (18).



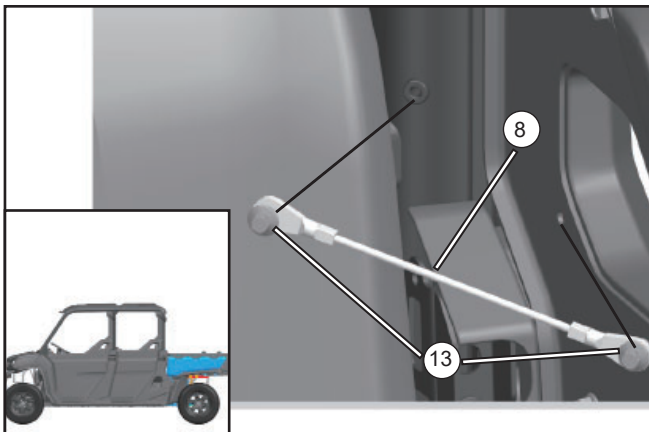
// Press the rear cargo box handle (E) to lift the rear cargo box up, then remove the left side panel, rear seat (D).



// Align the LH lower connecting plate assy (10) on the LH rear half door (2) with the corresponding holes on the vehicle and install three M8x16 inner hex screws (16), re-assemble the left side panel, rear seat (D) then reset the rear cargo.

ASSEMBLY AND INSTALLATION


// Align the LH rear upper hinge assy (9) on the LH front adapter bracket (4) with the corresponding holes on the vehicle and install three M8x16 inner hex screws (16).



// Attach the limit cable assembly (8) to the LH half door and rear cab frame using two M6x14 bolts (13).

i - Assembly of the left rear half door is complete. The right rear half door is assembled in the same methods.

i - Lock the rear half door first, then tighten the relevant bolts on the upper and lower connecting plates, door lock kits and buckle.