

ACCESSORY SETUP INSTRUCTION

AIR INTAKE SNORKEL ASSY -- PN 5BWV-803100-5000

VALID FOR: 2021 Trail800


BEFORE YOU BEGIN: Read and understand the instructions before starting any work. Make sure that all parts are ready and that you have all the tools required for assembly.


NOTE: CFMOTO shall not be liable for any damage caused by incorrect assembly. CFMOTO recommends that all original accessories be assembled by an authorized CFMOTO dealer.

Before assembly, park the vehicle on a flat surface, put the transmission gear into Park (P) and turn off the key switch.

Zhejiang CFMOTO Power Co., Ltd. All rights reserved. Reproduction of this document, even in part, as well as copying of all kinds, is permitted only with the express written permission of the copyright owner.

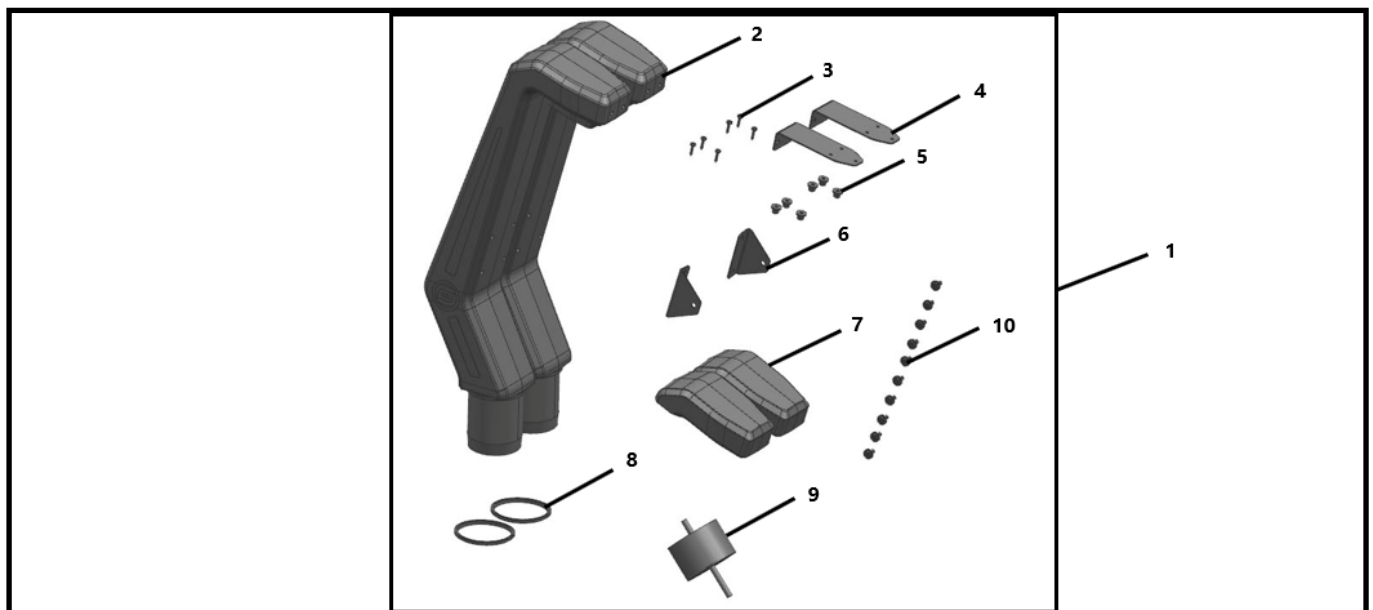
MEANING OF SYMBOLS

 - Indicates information with more details or tips.

 - Indicates information of warning or danger.

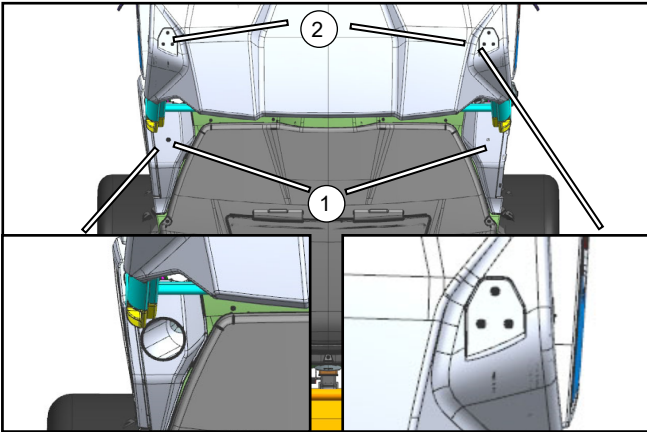
PARTS LIST:

ITEM	PART NAME	PART NUMBER	QTY.	REMARK
1	AIR INTAKE SNORKEL ASSY	5BWV-803100-5000	1	
2	AIR INTAKE SNORKEL	5BWV-803110-5000	2	
3	SELF-TAPPING SCREW ST4.8X19	30110-480190070	6	
4	TOP BRACKET	5BWV-803102-5000	2	
5	SELF-TAPPING NUT	5HY#-803007-1200	6	
6	CENTER BRACKET	5BWV-803101-5000	2	
7	STRAIN	5HY#-803008-1200	2	
8	SEAL RING	5BWV-803103-5000	2	
9	HOLE SAW	5BWV-803100-5000-25	1	
10	BOLT M6×12	5BWV-803100-5000-21	10	

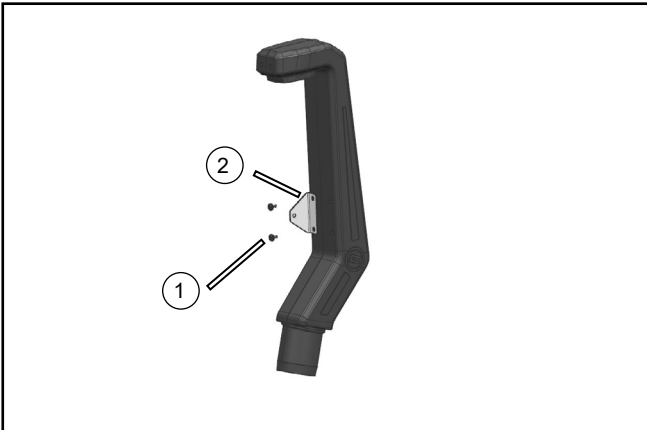


TOOL LIST:

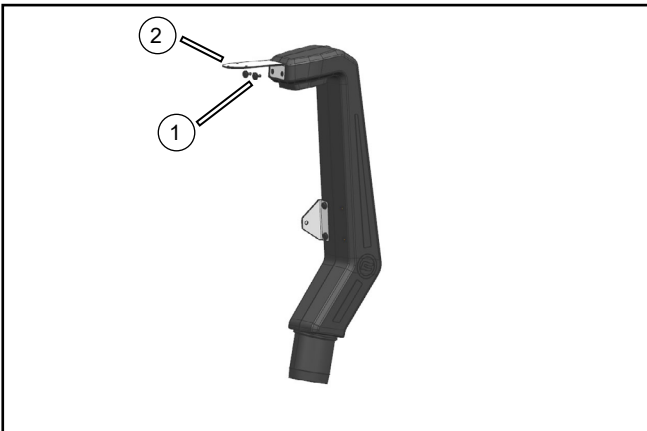
ITEM	DESCRIPTION	QTY.	REMARK
1	PROTECTIVE GLOVES	1	Recommended tools
2	PHILIPS SCREWDRIVER	1	
3	4mm ALLEN KEY	1	
4	ELECTRIC DRILL	1	



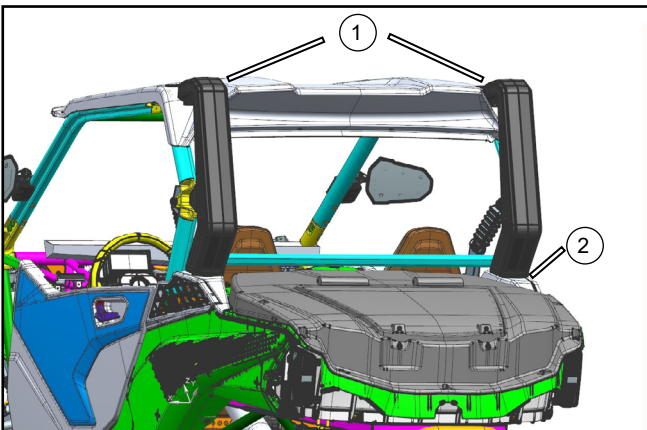
// Use hole saw to open holes at the rear bed side panels ① and top roof ② according to the reserved opening positions.



// Secure the center bracket ② at the center position of the air intake schnorkel with bolts ① .

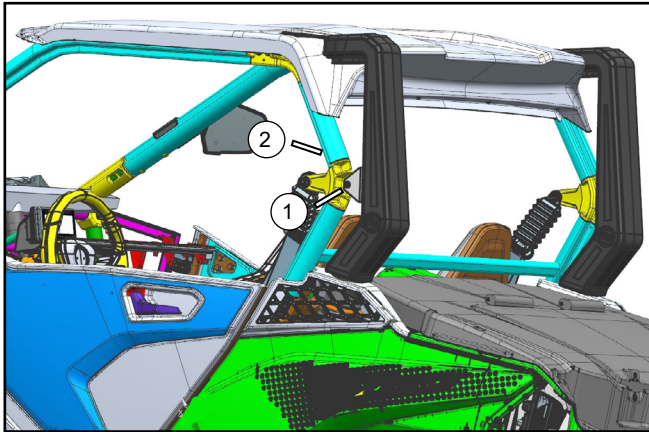


// Secure the top bracket ② on the top position of the air intake schnorkel with bolts ① .



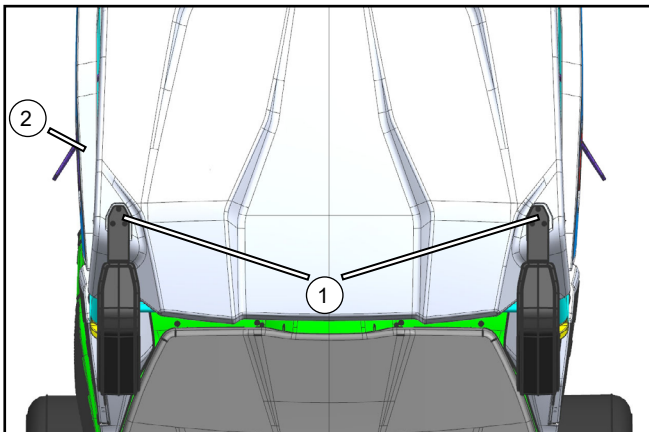
// Insert the air intake schnorkel ① into the rear bed side panel holes ② .

i The left and right assembly methods are the same.



// Install bolt ① to secure the center bracket of the air intake schnorkel to the position ② of top bar rear assembly.

i The left and right assembly methods are the same.



// Install bolts ① to secure the top bracket of the air intake schnorkel with the top roof ② .