

ACCESSORY SETUP INSTRUCTION

FRONT BUMPER ASSY -- PN 5BWV-801100-5000

VALID FOR: MY2022 and Newer ZFORCE 800 Trail/EX


BEFORE YOU BEGIN: Read and understand the instructions before starting any work. Make sure that all parts are ready and that you have all the tools required for assembly.


NOTE: CFMOTO shall not be liable for any damage caused by incorrect assembly. CFMOTO recommends that all original accessories be assembled by an authorized CFMOTO dealer.

Before assembly, park the vehicle on a flat surface, put the transmission gear into Park (P) and turn off the key switch.

Zhejiang CFMOTO Power Co., Ltd. All rights reserved. Reproduction of this document, even in part, as well as copying of all kinds, is permitted only with the express written permission of the copyright owner.

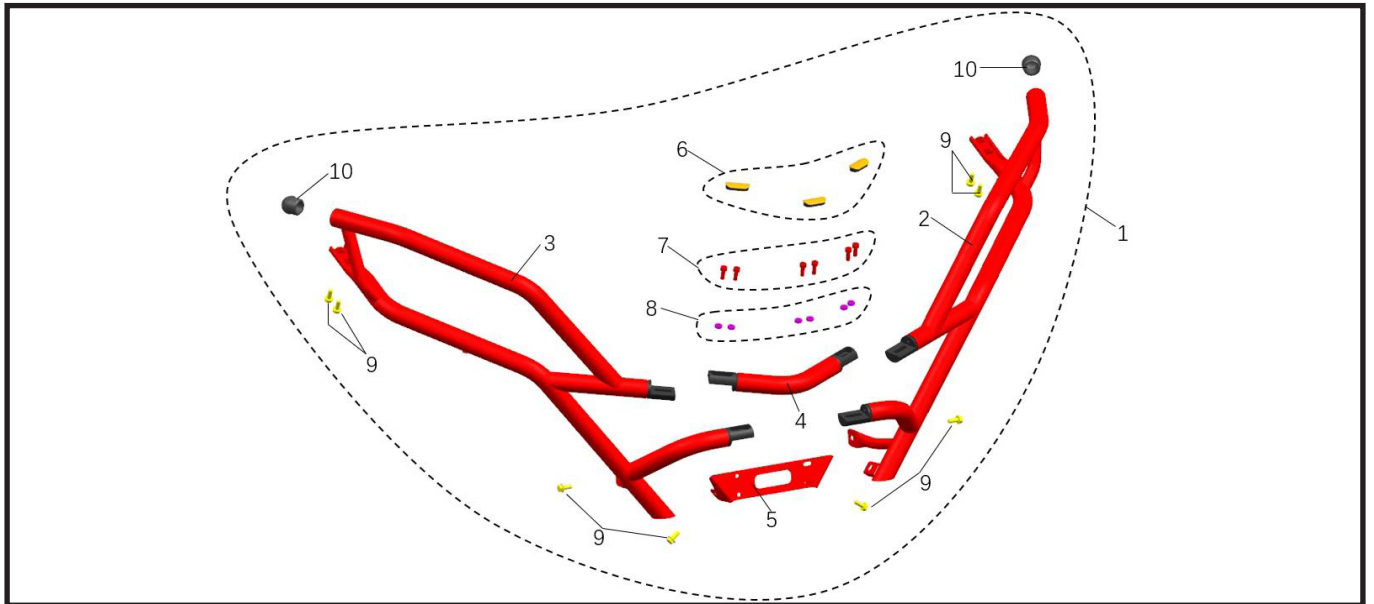
MEANING OF SYMBOLS

 - Indicates information with more details or tips.

 - Indicates information of warning or danger.

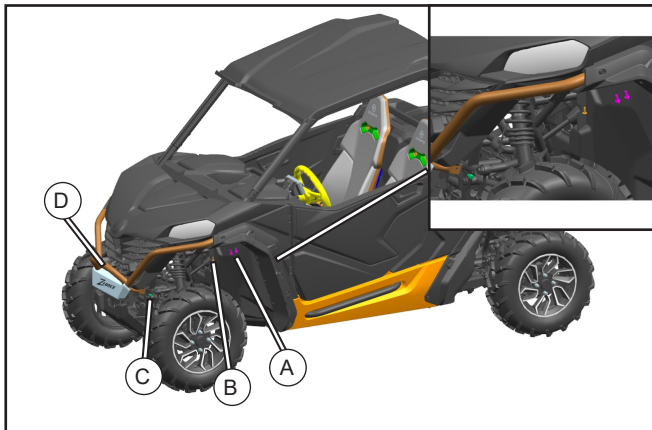
PARTS LIST:

ITEM	PART NAME	PART NUMBER	QTY.	REMARK
1	FRONT BUMPER ASSY	5BWV-801100-5000	1	Picture is for structure reference only.
2	LEFT BUMPER	5BWV-801110-5000	1	
3	RIGHT BUMPER	5BWV-801120-5000	1	
4	CONNECT PIPE	5BWV-801170-5000	1	
5	BRACKET, DECO PLATE	5BWV-801180-5000	1	
6	PLUG	5BWV-801101-5000	3	
7	SCREW M8×20	30102-080020870	6	
8	NUT M8	5BWV-801100-5000-20	6	
9	BOLT M8×20	30006-080020870	8	
10	PLUG 38	5BWV-801100-5000-21	2	Pre-installed on BUMPER



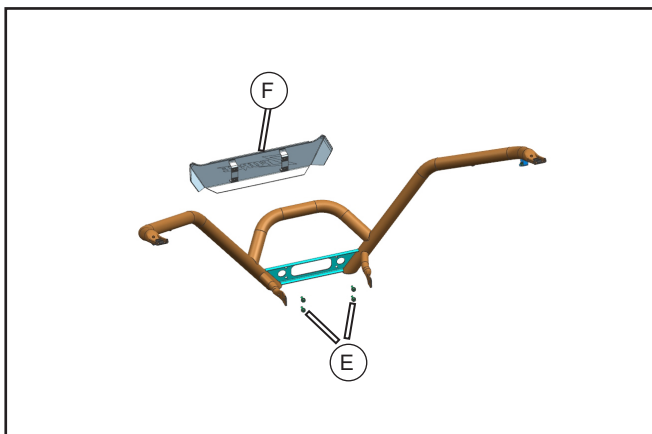
TOOL LIST:

ITEM	DESCRIPTION	QTY.	REMARK
1	PROTECTIVE GLOVES	1	Recommended tools
2	SOCKET 10 MM	1	
3	SOCKET 13 MM	1	
4	6mm ALLEN KEY	1	
5	RATCHETING BOX WRENCH	1	

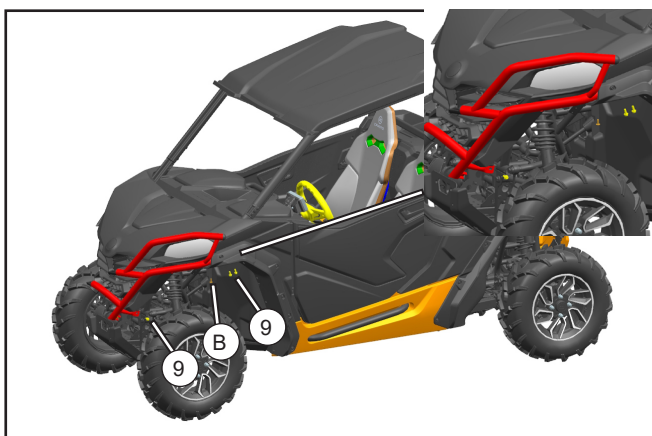
ASSEMBLY and INSTALLATION


// Remove the screws (A,B,C) securing the front bumper on each side, then remove the front bumper (D).

i Left side shown. The right side screws are removed in the same way. The removed bumper will not be reinstalled.

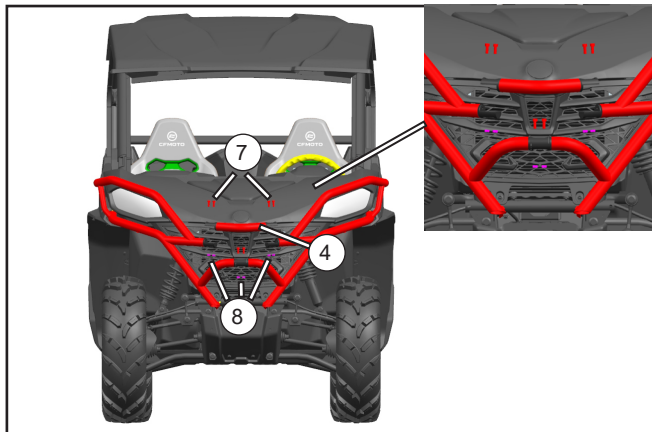


// Remove the bolts (E), and deco cover (F). Save the bolts and deco cover for reinstallation.



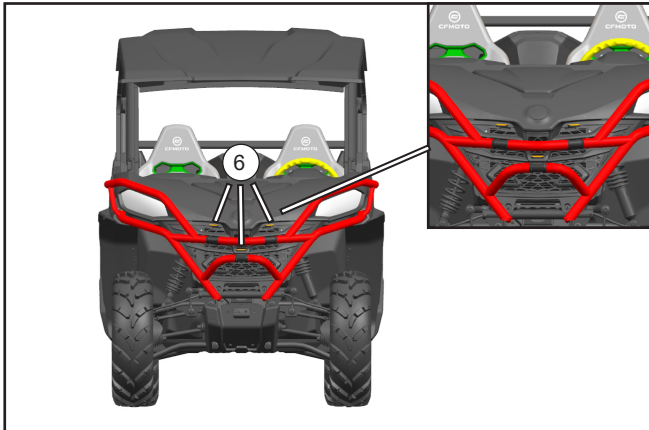
// Position the left and right bumpers on the each side of the vehicle, then install the bolts (9) and screw (B). Pre-tighten only. Do not fully tighten.

i Left bumper (2) is shown. The right bumper (3) is assembled in the same way.

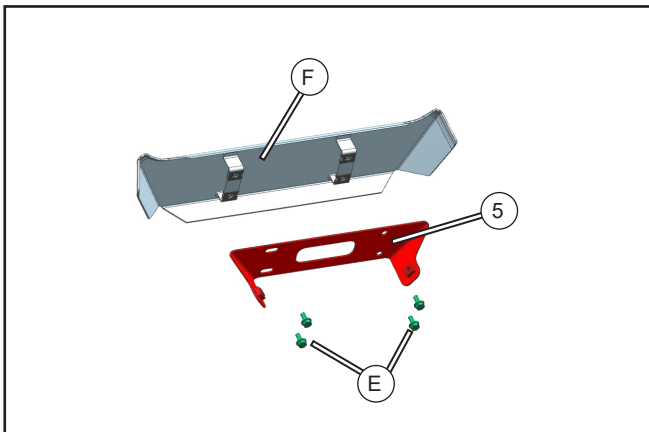


// Connect the left and right bumper sections using connecting pipe (4), screws (7) and nuts (8) as shown.

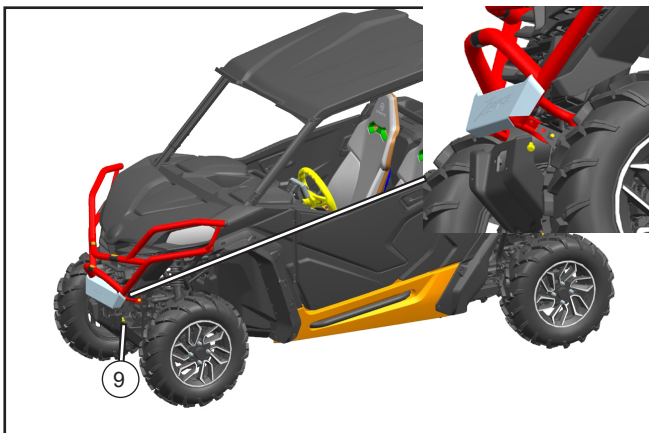
// Tighten screws (7) and nuts (8) securely, then tighten all previously installed bolts (9) and screws (B).



// Install the plugs (6).



// Install the deco cover (F) on deco plate bracket (5) with bolts (E).



// Install the deco cover assy on the front of the bumper with bolts (9).



// Front bumper assembly is complete.