

ACCESSORY SETUP INSTRUCTION

ALUMINUM TOP ROOF ASSY -- PN 5BWV-809000-5000

VALID FOR: MY2023 ZFORCE 800


BEFORE YOU BEGIN: Read and understand the instructions before starting any work. Make sure that all parts are ready and that you have all the tools required for assembly.


NOTE: CFMOTO shall not be liable for any damage caused by incorrect assembly. CFMOTO recommends that all original accessories be assembled by an authorized CFMOTO dealer.

Before assembly, park the vehicle on a flat surface, put the transmission gear into Park (P) and turn off the key switch.

Zhejiang CFMOTO Power Co., Ltd. All rights reserved. Reproduction of this document, even in part, as well as copying of all kinds, is permitted only with the express written permission of the copyright owner.

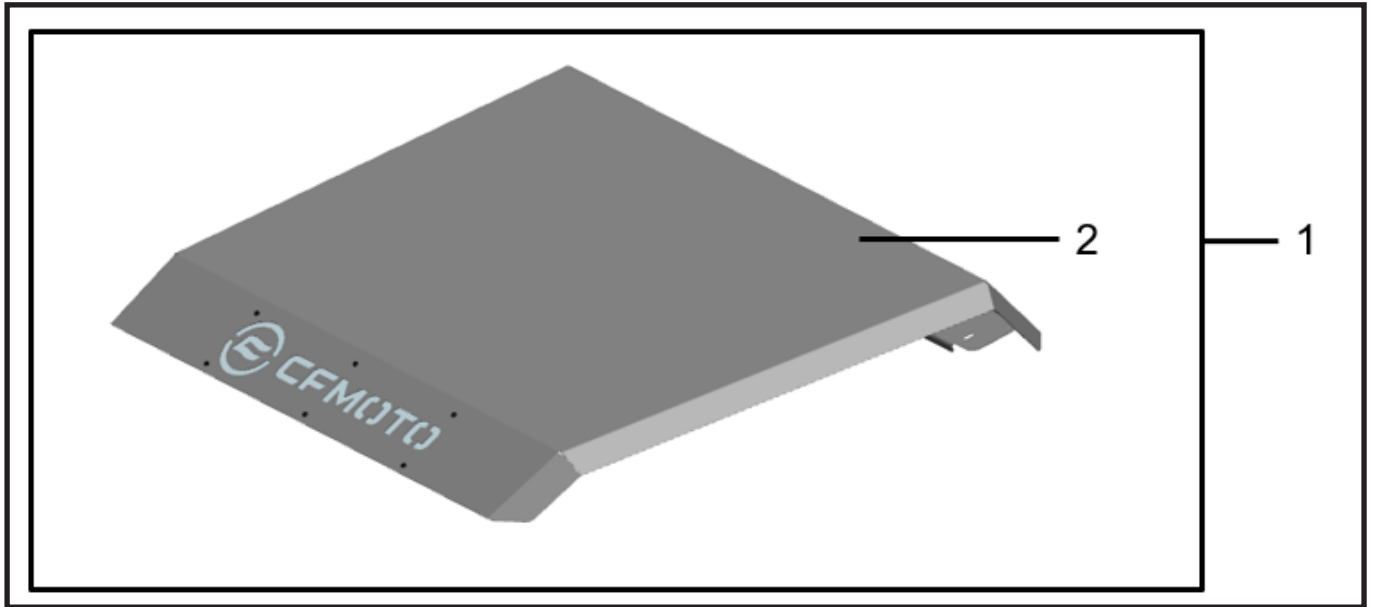
MEANING OF SYMBOLS

 - Indicates information with more details or tips.

 - Indicates information of warning or danger.

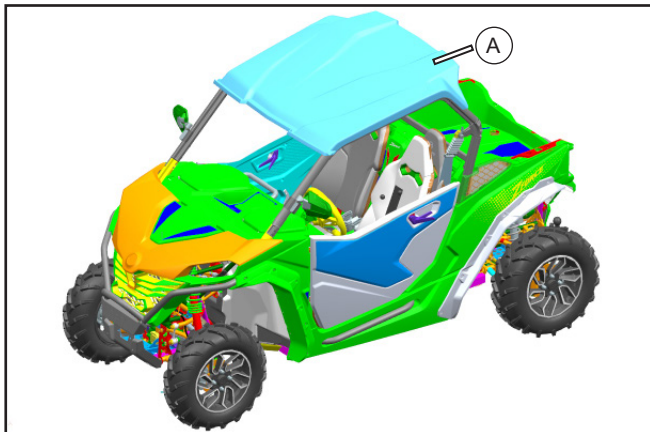
PARTS LIST:

ITEM	PART NAME	PART NUMBER	QTY.	REMARK
1	ALUMINUM TOP ROOF ASSY	5BWV-809000-5000	1	Picture is for structure reference only.
2	ALUMINUM TOP ROOF	5BWV-809100-5000	1	

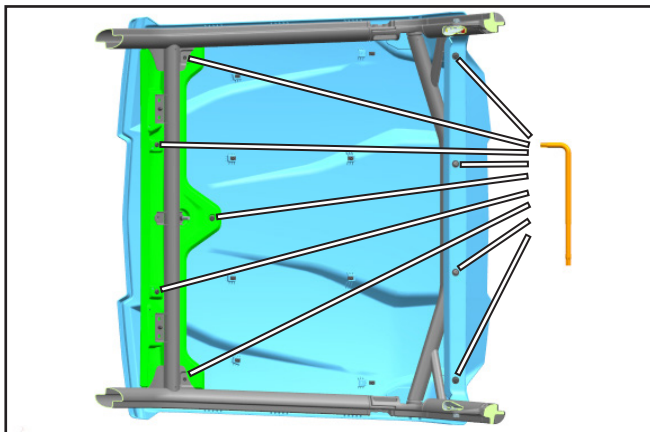


TOOL LIST:

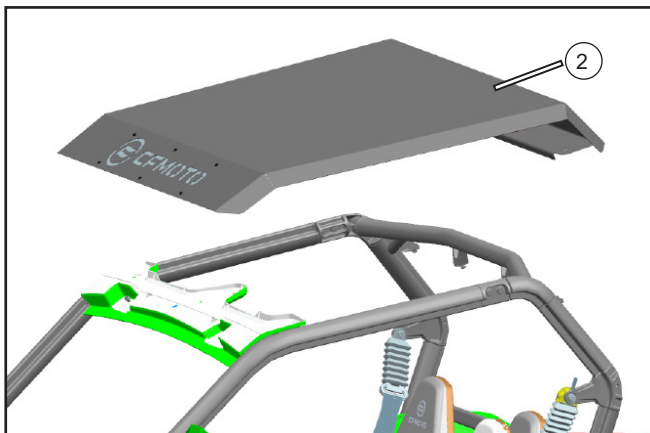
ITEM	DESCRIPTION	QTY.	REMARK
1	PROTECTIVE GLOVES	1	Recommended tools
2	5mm TORX WRENCH	1	
3	ELECTRIC DRILL	1	

ASSEMBLY and INSTALLATION

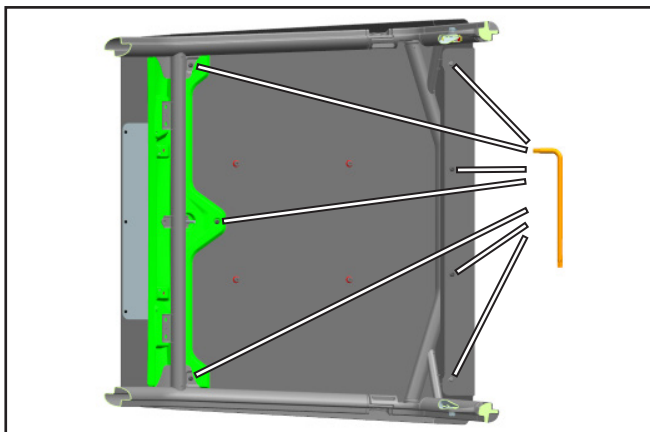
// The plastic top roof (A) must be removed before installing the aluminum top roof.



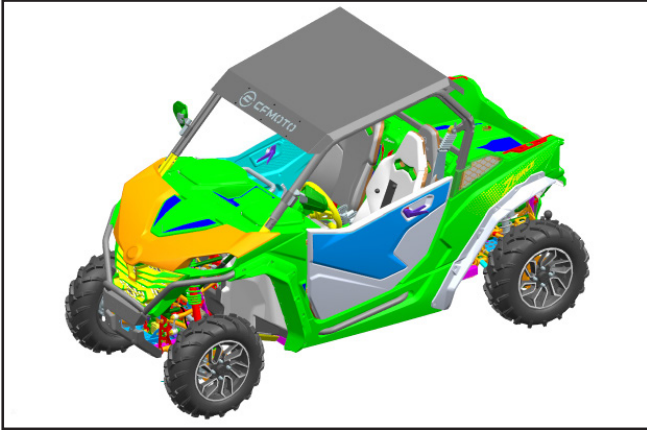
// Remove the 9 screws using a torx wrench, then remove the plastic roof.



// Position the aluminum top roof (2) on top of the vehicle.



// As shown in the image, secure the aluminum top roof using 7 torx screws. Hand-tighten sufficiently, using caution not to over-tighten.



// The aluminum top roof is assembled.