

ACCESSORY SETUP INSTRUCTION

REAR CARGO BOX ASSEMBLY -- PN 5BYV-806100-1000

VALID FOR: MY2020 and Newer ZFORCE 950 & ZFORCE 1000


BEFORE YOU BEGIN: Read and understand the instructions before starting any work. Make sure that all parts are ready and that you have all the tools required for assembly.


NOTE: CFMOTO shall not be liable for any damage caused by incorrect assembly. CFMOTO recommends that all original accessories be assembled by an authorized CFMOTO dealer.

Before assembly, park the vehicle on a flat surface, put the transmission gear into Park (P) and turn off the key switch.

Zhejiang CFMOTO Power Co., Ltd. All rights reserved. Reproduction of this document, even in part, as well as copying of all kinds, is permitted only with the express written permission of the copyright owner.

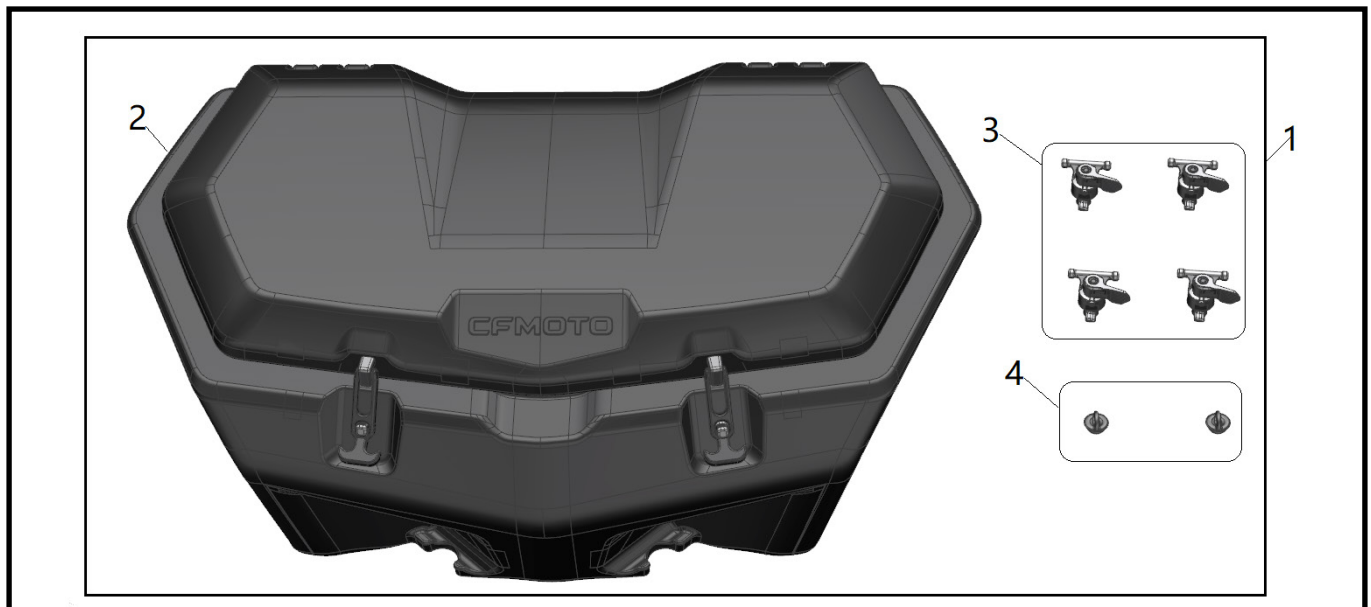
MEANING OF SYMBOLS

 - Indicates information with more details or tips.

 - Indicates information of warning or danger.

PARTS LIST:

ITEM	PART NAME	PART NUMBER	QTY.	REMARK
1	REAR CARGO BOX ASSEMBLY	5BYV-806100-1000	1	
2	REAR CARGO BOX	5BYV-806110-1000	1	
3	CF CONNECT CLAMP	9DS#-809000-6000	4	
4	PLUG	5BYV-806114-1000	2	



TOOL LIST:

ITEM	DESCRIPTION	QTY.	REMARK
1	PROTECTIVE GLOVES	1	Recommended Tools
2	4mm ALLEN WRENCH	1	

ASSEMBLY and INSTALLATION


// Install the plug (4) at the drain outlet of the rear cargo box (2), and place the spare plug at the position of the upper box cover.



// Position the rear cargo box (2) on the rear rack cover (A).



// Install two CF connect clamps (3) in the two holes at the front of the rear rack cover, then secure the cargo box by rotating the levers counter-clockwise.

i » When installing the connect clamps, move the cargo box back to align with the mounting hole.



// Install two CF connect clamps (3) in the two holes at the rear of the rear rack cover, then secure the cargo box by rotating the levers counter-clockwise.