

ACCESSORY SETUP INSTRUCTION

FRONT WINDSHIELD ASSEMBLY -- PN 5SYV-805100-1000

VALID FOR: MY2019 and Newer UFORCE 1000 UTVs


BEFORE YOU BEGIN: Read and understand the instructions before starting any work. Make sure that all parts are ready and that you have all the tools required for assembly.


NOTE: CFMOTO shall not be liable for any damage caused by incorrect assembly. CFMOTO recommends that all original accessories be assembled by an authorized CFMOTO dealer.

Before assembly, park the vehicle on a flat surface, put the transmission gear into Park (P) and turn off the key switch.

Zhejiang CFMOTO Power Co., Ltd. All rights reserved. Reproduction of this document, even in part, as well as copying of all kinds, is permitted only with the express written permission of the copyright owner.

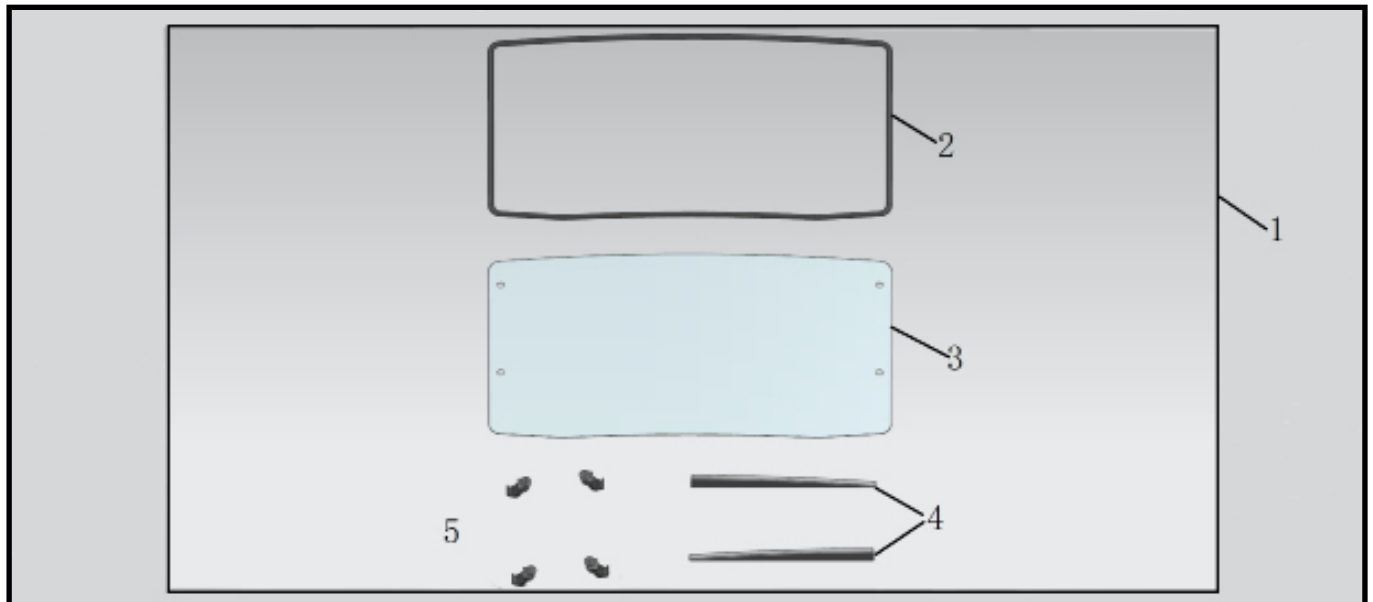
MEANING OF SYMBOLS

 - Indicates information with more details or tips.

 - Indicates information of warning or danger.

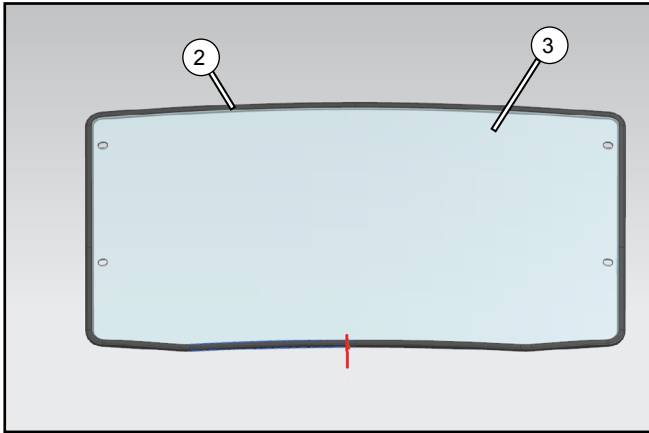
PARTS LIST:

ITEM	PART NAME	PART NUMBER	QTY.	REMARK
1	FRONT WINDSHIELD ASSEMBLY	5SYV-805100-1000	1	
2	SEAL STRIP	5SYV-805100-1000-20	1	
3	FRONT WINDSHIELD	5SYV-805111-1000	1	
4	WINDSHIELD SUPPORTER SEAT ASSY	5SYV-805110-1000	2	
5	CLAMP	5ASV-804100-6000	4	
/	THREAD LOCKER	/	1	



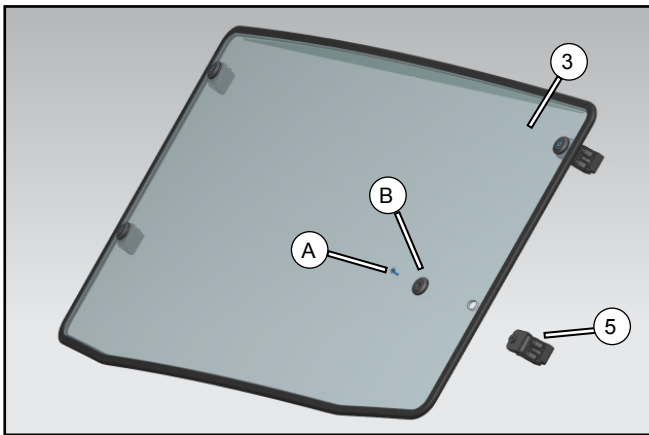
TOOL LIST:

ITEM	DESCRIPTION	QTY.	REMARK
1	PROTECTIVE GLOVES	1	Recommended Tools
2	4mm ALLEN WRENCH	1	

ASSEMBLY and INSTALLATION


// Install seal strip (2) to the front windshield (3).

i Remove the protective film from the windshield surface. Install from the red mark.

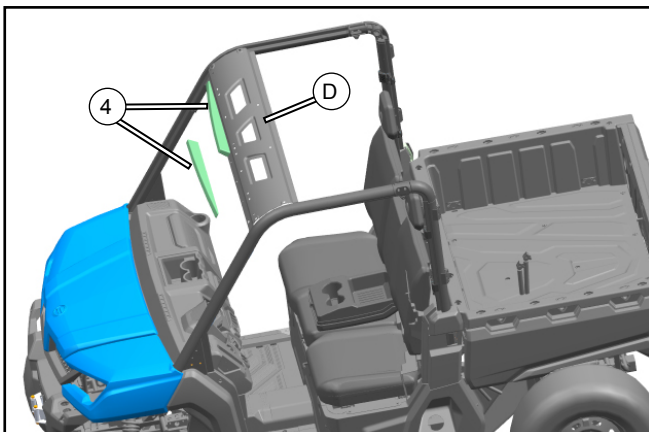


// Remove the gaskets (B) and screws (A) from the clamps (5), then install the clamps (5) onto the front windshield (3) with the gaskets (B) and screws (A). *Do not fully tighten bolts at this time.*

i Apply some thread locker to the screw.

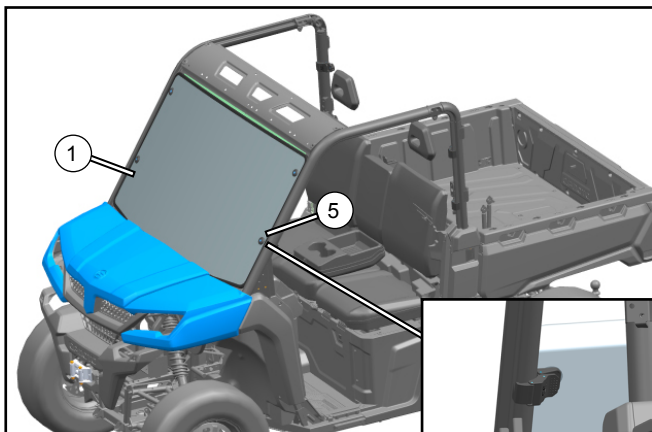


// Remove the top roof (C).



// Install the windshield supporter seat (4) to the top roof mounting plate (D).

ASSEMBLY and INSTALLATION



// Position the front windshield assembly (1) on the top bar front assembly as shown to determine the clamp positions, then assemble each side with clamps (5). Tighten the screws sufficiently, using care not to over-tighten.



// Install the top roof (C).