

ACCESSORY SETUP INSTRUCTION

NERF BARS ASSEMBLY -- PN 5BY#-801300-1000

VALID FOR: MY2020 ZFORCE 950 & ZFORCE 1000

BEFORE YOU BEGIN: Read and understand the instructions before starting any work. Make sure that all parts are ready and that you have all the tools required for assembly.

NOTE: CFMOTO shall not be liable for any damage caused by incorrect assembly. CFMOTO recommends that all original accessories be assembled by an authorized CFMOTO dealer.

Before assembly, park the vehicle on a flat surface, put the transmission gear into Park (P) and turn off the key switch.

Zhejiang CFMOTO Power Co., Ltd. All rights reserved. Reproduction of this document, even in part, as well as copying of all kinds, is permitted only with the express written permission of the copyright owner.

MEANING OF SYMBOLS



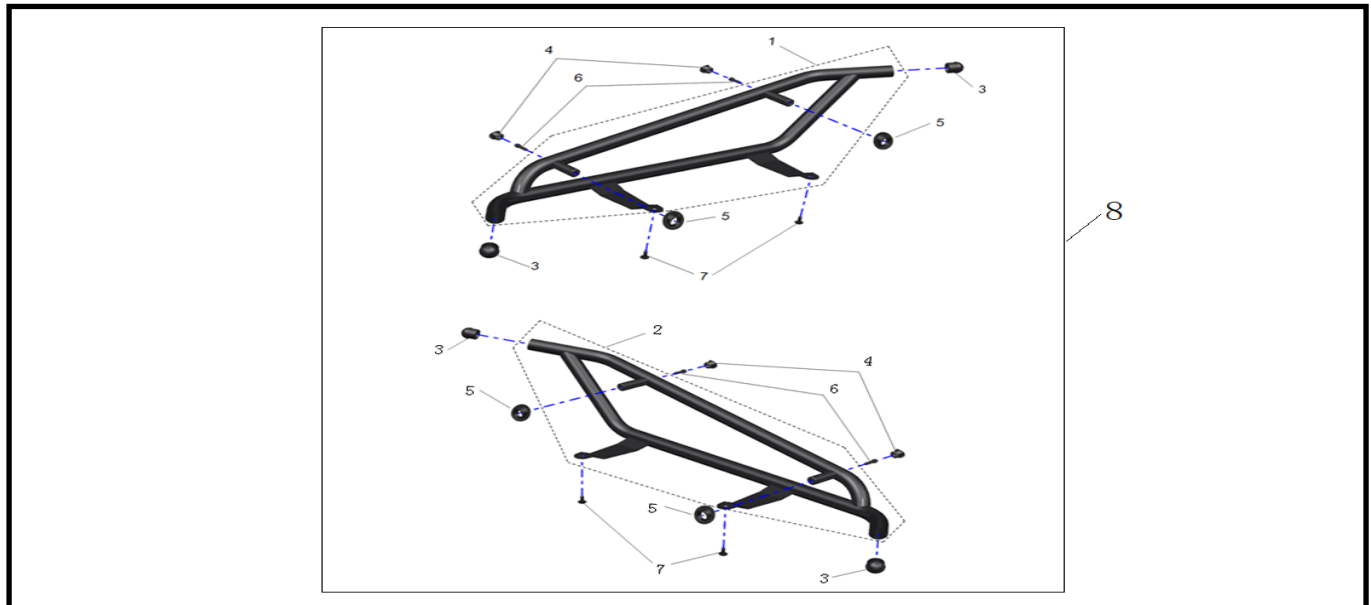
- Indicates information with more details or tips.



- Indicates information of warning or danger.

PARTS LIST:

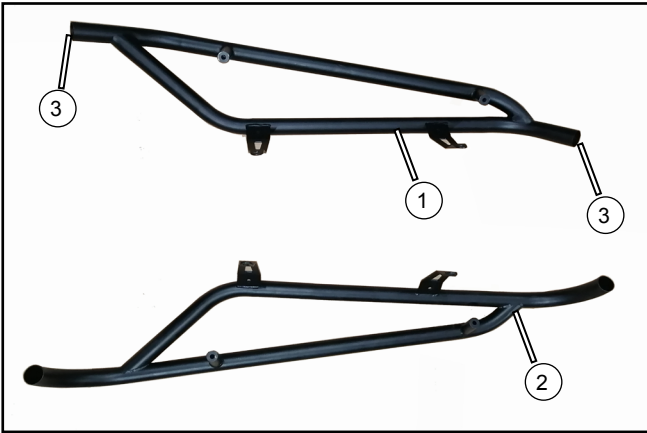
ITEM	PART NAME	PART NUMBER	QTY.	REMARK
1	LEFT NERF BAR	5BY#-801310-1000	1	
2	RIGHT NERF BAR	5BY#-801320-1000	1	
3	PLUG 38	9DS#-801200-6000-20	4	
4	PLUG A	5BY#-801301-1000	4	
5	PLUG B	5BY#-801302-1000	4	
6	INNER HEX SCREW M8×25	30102-080025870	4	
7	INNER HEX SCREW M8×16	30102-080016870	4	
8	NERF BARS ASSEMBLY	5BY#-801300-1000	1	



TOOL LIST:

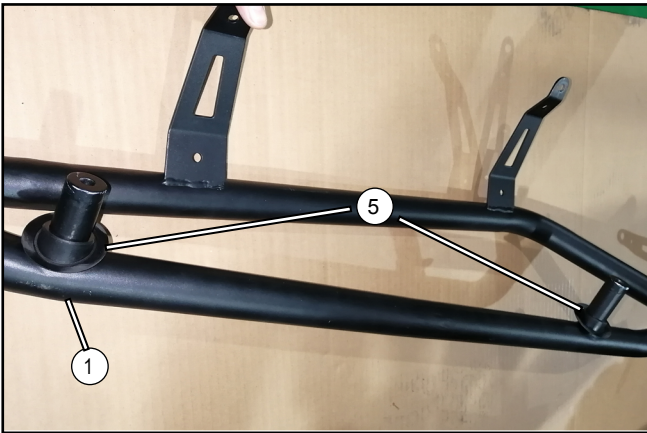
ITEM	DESCRIPTION	QTY.	REMARK
1	5mm HEX BIT SOCKET	1	Recommended tools
2	TORQUE WRENCH	1	
3	PROTECTIVE GLOVES	1	
4	RUBBER HAMMER	1	

ASSEMBLY and INSTALLATION



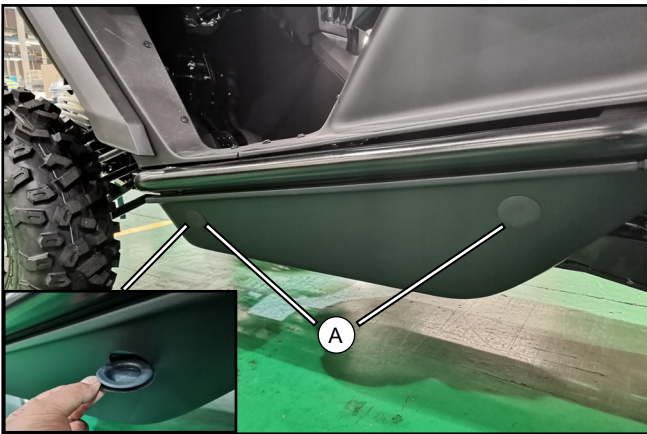
// Use a rubber hammer to install the plugs (3) into the left nerf bar (1) and right nerf bar (2).

i Instructions apply to left and right nerf bars.

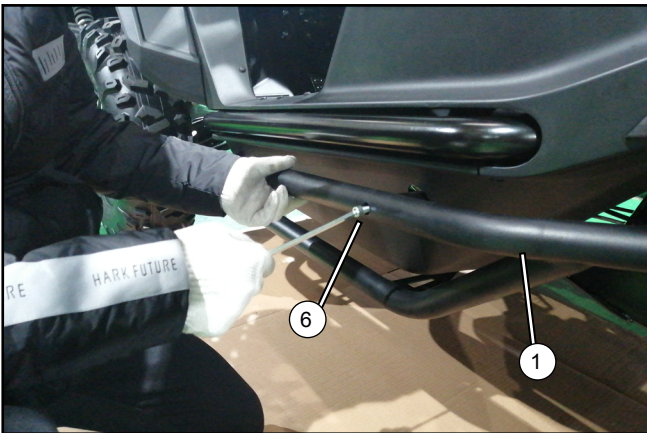


// Place plugs B (5) into installation position on the nerf bar (1) as shown.

i The right nerf bar (2) is assembled in the same way.

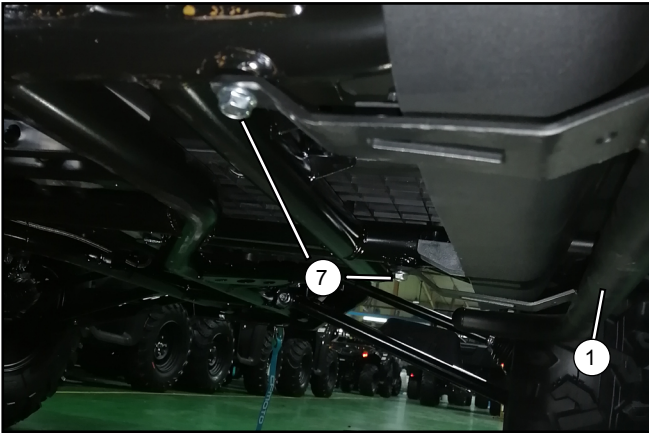


// Remove the cover plugs (A) from the vehicle body.



// Position the nerf bar in the assembly position as shown, then install inner hex screws (6) but do not tighten them at this time.

i The right nerf bar is installed in the same way.

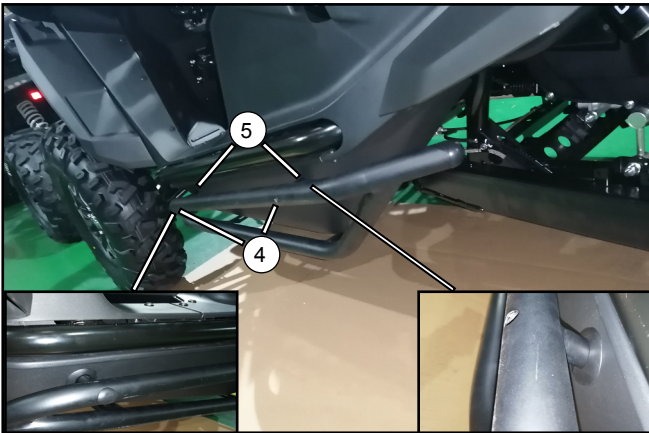


- // Secure the nerf bar at the bottom of the vehicle with inner hex screws (7).
- // Torque inner hex screws (6) and (7) evenly to specification.

- i** » The right nerf bar is installed in the same way.
- » Torque the screw (6) in the previous step evenly to specification.

INNER HEX SCREW	M8×16	30102-080016870	18-25N.m
-----------------	-------	-----------------	----------

INNER HEX SCREW	M8×25	30102-080025870	18-25N.m
-----------------	-------	-----------------	----------



- // Push plugs B (5) into the vehicle body and install plugs A (4) to complete the assembly.

- i** The right nerf bar is completed in the same way.